

ORACLE

PASTOR TERRY HOLOBAUGH CLP
CHURCH PHONE 892-2654

E-mail: uticapresbyterianchurch@embarqmail.com

Website: <http://www.uticapresbyterianchurch.com>

April, 2018



Our True Power Source

The story is told of someone who plugged a power strip into itself and then couldn't understand why the system wouldn't turn on! We get a kick

out of such tales, yet how often do we try to "power" our own lives? We frequently think we need to be the source of our own strength, joy, peace, energy and wisdom.

Jesus doesn't teach us to find life within ourselves – or in any human being or earthly circumstance, object or philosophy. Rather, calling himself the good shepherd, Jesus says, "I have come that [my sheep] may have life, and have it abundantly" (John 10:10).

We don't access that abundant life by "plugging into" ourselves. Instead, Jesus invites us to plug into his power – and joy, peace, hope, truth – through prayer and Scripture, worship and service, fellowship with other Christians and the beauty of God's world.



April
BIRTHDAYS

2 Ray McCann
20 Ben Fawcett
Jody Wray

22 Erich Ramseyer
23 Dan Fawcett
29 Richard Ramseyer



April
ANNIVERSARIES

10 Gary and Jana Mader
11 Todd and Gale Cochran
19 Lynn and Margaret Fawcett
29 Dwight and Denise Hatch

"Easter is the soul's first taste of spring"

—Richelle Goodrich

IN OUR
Thoughts and Prayers



Thursday, April 12
11:30 a.m.
at
Rivers Edge Restaurant in Utica

Rod & Debra Hornsby	Viola Wilson
Margaret Fawcett	Mary Holobaugh
Ray & JoAnn McCann	David Butcher
John Stout	Shari Stamp
Jim Parker	Bob Gruber
Herb Stevens	Vicky Gruber
Jennifer Anderson	Kim Kissel
Phylis Johnson	V.C. Conley
Michelle Leasure	Linda Morrison
Mary Jane Ebie	Mary Snodgrass
Carter & the Morrison Family	
The families of Christy Ramsom, Harold Hupp Jr and Francina Selmon	



The Presbyterian Women met on March 12 to review schedule set up the past September. Holly called meeting to order and Denise Hatch had the devotions. Highlights of the meeting were:

- Discussion on Bible Study to be held at second Presbyterian Church in Newark. See below:



Celebrate Our Heritage

Pastors 1903—1933

E.M. Bell 1903-1904	Lyal E. Carr 1919-1923
T. Boyd Gay 1905-1906	H.O. Bush 1923-1924
Joel E. Glover 1907-1909	W.A. Mintier 1924-1925
L.C. Lawrence 1909-1912	C.S. Nickerson 1925-1926
F.A. Shape 1912-1913	Roy Werner 1927-1929
Myson H. Sewell 1913-1915	William Swaim 1930
Daniel Mergler 1915-1919	F.D. Henderson 1931-1932
	Howard Bay 1932-1933

Our 200th Anniversary Committee are making plan for other events coming up. Right now they're working on plans for a float in the Ice Cream Festival Parade in May.



April 8 12:30 p.m.

The Presbyterian women of Second Presbyterian Church in Newark have invited us to join them for a Bible study from the PW Horizons magazine titled "Cloud of Witnesses: The Community of Christ in Hebrews. It will be held on Wednesday evenings from 7-8:30 p.m. starting on April 4th and running for 9 weeks. Ruth Cooper will be the leader. Anyone wishing to go, please see Barb Young, Bonnie Ramseyer or Holly Booth.



- PW Churchwide Gathering will be held in Louisville, KY on August 2-5.
- Discussed having a cleaning day for tables & chairs in dining hall this spring.
- We will be serving lunch to Red Cross volunteers and cookies to donors on April 26. A sign-up sheet is in narthex for cookie donations.
- Janet Gantt is interested in starting a quilting group to make quilts for House of New Hope in St. Louisville for foster children. More details later. If you would be interested, please let her know.

Following the meeting, Linda Shamell, hostess, served delicious refreshments.



We are still collecting dish detergent and tissues for the Utica Food Pantry on the third Sunday of each month. Other non-perishable items or monetary donations can also be donated. Other missions we support and donations can be made to are: Wounded Warriors Project, and Our Daily Bread.

Thank you to all who gave donations to the One Great Hour of Sharing.



Relay for Life Events

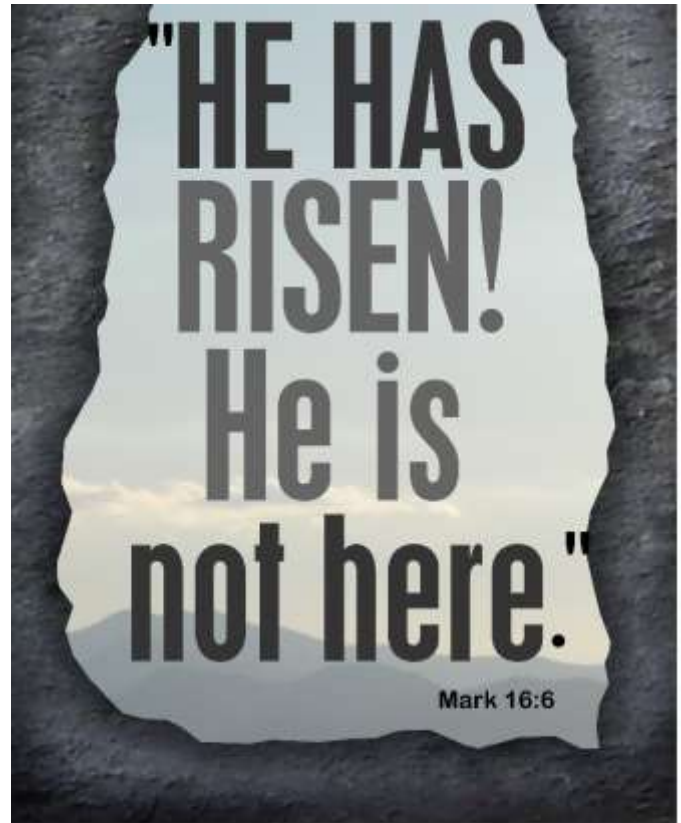
Saturday, July 28 @ 2:00 pm and ends Sunday @ 10:00 am to support the fight against cancer. It will be held inside INDIAN MOUND MALL. Please see Denise Hatch for more information and to register for our Utica Presbyterian Church team or you can join our team online or donate at RelayForLife.org /<http://www.relayforlife.org/lickingcounty>.

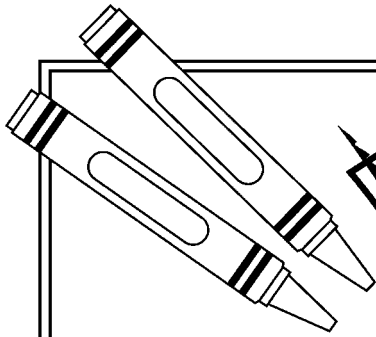
Denise also has discount cards (discount to several business around our area) available for \$10. All proceeds go to our Relay Team.



Media/Yard/Bake Sale

Our church will be having a Media/ Yard Sale (NO clothing/ Bake Sale in May. Proceeds will go to Relay for Life. So start doing your spring cleaning. Items can be brought to the church and put in the Kids Room downstairs. See next Oracle for more information.





PUZZLE

RESURRECTION HOPE



Romans 6:5 reveals the hope we have because
Jesus rose from the dead on Easter.



Directions: First solve the math problems. Then put the corresponding words in the blanks; for example, the word next to the answer "1" goes in the first blank, the word next to the answer "2" goes in the second blank, and so on.

- | | | |
|---------------------|------------------|------------------------|
| 2+2 = ___ united | 2x3 = ___ death | 7+6 = ___ resurrection |
| 3x3 = ___ certainly | 18-16 = ___ have | 4-1 = ___ been |
| 0+1 = ___ if | 2x4 = ___ we | 13-1 = ___ him |
| 2+3 = ___ in | 20-6 = ___ like | 2+5 = ___ his |
| 2x5 = ___ be | 8+3 = ___ with | |

“For 1 we 2 3 4
 with him 5 a 6 like 7 ,
8 will 9 also 10 united
11 12 in a 13
14 his.” Romans 6:5, NIV

Answer: For if we have been united with him in a death like his, we will certainly also be united with him in a resurrection like his. Romans 6:5, NIV